

## Bädd & Bad AB

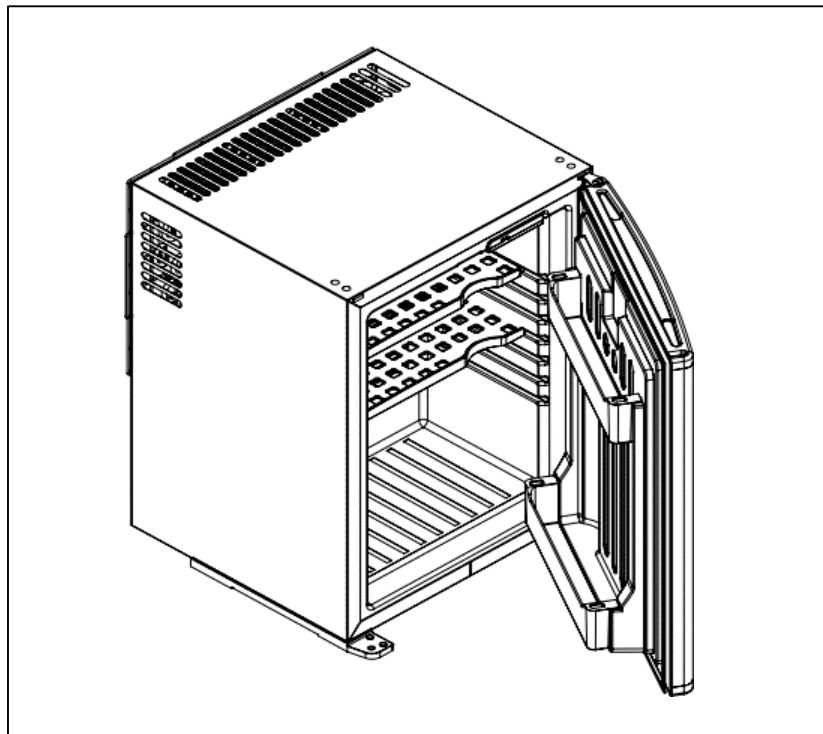
Grustagsgatan 22.  
254 64 Helsingborg  
Tel. +46 42 26 66 60

Revision no : 03

Revision date : 30.01.2024

Model: SM 401-TH MINIBAR

### TECHNICAL SPECIFICATIONS



---

**MODEL: 81914461**

## TECHNICAL DATA SHEET

### CHARACTERISTICS

➤ Compartment Type	: Cellar
➤ Energy Efficient Class	: G
➤ Climate Class	: N
➤ Energy Consump.	: 122 (kWh per year)
➤ Energy Efficiency Index	: 158 %
➤ Power	: 50 W
➤ Voltage / Freq.	: 110 V - 240 V / 50-60 Hz.
➤ Defrosting Type	: Automatic
➤ Noise Emission	: 23 (dB(A) re 1 pW)

### ACCESSORIES

➤ Internal Light	: Standart
➤ Lockable Door	: Optional
➤ Door Hinge Side	: Right
➤ Reversible Door	: Yes
➤ Thermostat Control	: Electronic

### TECHNICAL SPECIFICATIONS

➤ External Dims.	: 566x441x430 mm (HxWxD)
➤ Internal Dims.	: 468X351X218 mm (HxWxD)
➤ Pack. Dims.	: 614X464X494 (HxWxD)
➤ Pack. Volume	: 0,14 m <sup>3</sup>
➤ Total Volume	: 33 lt
➤ Gross Volume	: 38 lt
➤ Gross Weight	: (13,38 ±1) kg
➤ Net Weight	: (11,71 ±1) kg
➤ Outer Body	: 0.4 mm.PVC Kaplı Sac / 0,4 PVC Coated Sheet
➤ Inner Liner	: Hips
➤ Insulation Material	: Sert P.U. / Rigid P.U.
➤ Blowing Agent	: C.Pentane
➤ Insulation Density	: 38~40 kg/m <sup>3</sup>

## TECHNICAL DATA SHEET

### CHARACTERISTICS

➤ Compartment Type	: Cellar
➤ Energy Efficient Class	: G
➤ Climate Class	: N
➤ Energy Consump.	: 122 (KWh per year)
➤ Energy Efficiency Index	: 158 %
➤ Power	: 50 W
➤ Voltage / Freq.	: 110 V - 240 V / 50-60 Hz.
➤ Defrosting Type	: Automatic
➤ Noise Emission	: 23 (dB(A) re 1 pW)

### ACCESSORIES

➤ Internal Light	: Standart
➤ Lockable Door	: Optional
➤ Door Hinge Side	: Right
➤ Reversible Door	: Yes
➤ Thermostat Control	: Electronic

### TECHNICAL SPECIFICATIONS

➤ External Dims.	: 566x441x430 mm (HxWxD)
➤ Internal Dims.	: 468X351X218 mm (HxWxD)
➤ Pack. Dims.	: 614X464X494 (HxWxD)
➤ Pack. Volume	: 0,14 m <sup>3</sup>
➤ Total Volume	: 33 lt
➤ Gross Volume	: 38 lt
➤ Gross Weight	: (13,38 ±1) kg
➤ Net Weight	: (11,71 ±1) kg
➤ Outer Body	: 0.4 mm.PVC Kaplı Sac / 0,4 PVC Cooted Sheet
➤ Inner Liner	: Hips
➤ Insulation Material	: Sert P.U. / Rigid P.U.
➤ Blowing Agent	: C.Pentane
➤ Insulation Density	: 38~40 kg/m <sup>3</sup>















